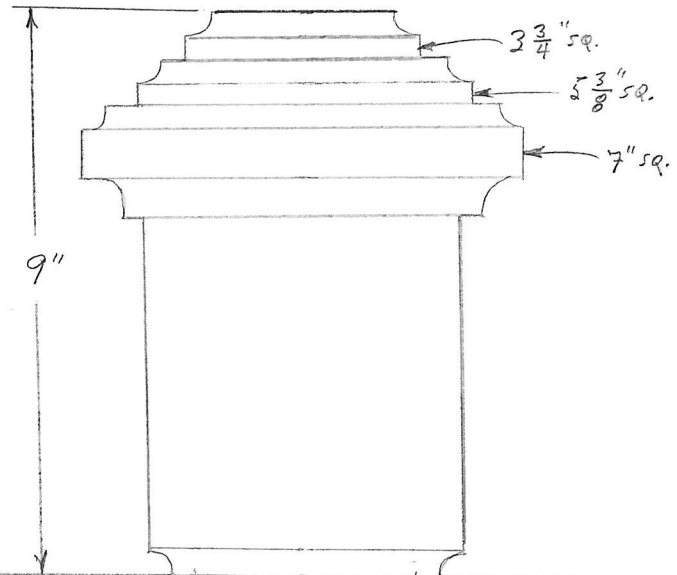


# WELBOURNE MANOR MAILBOX POST

FOR #1 OR #1 1/2 BLACK MAILBOX



Cuts (4) on cross arm & capital can be reveals or cove cuts

29" CROSS ARM NOTCHED 5" FROM ONE END FOR HALF-LAP JOINT WITH POST

- 4" x 4" NOM. (3 1/2" SQ.) -

— 16 3/4 —

Box is 7 3/4" HIGH x 7 1/4" WIDE

1  
7 3/4  
1

— 14 —

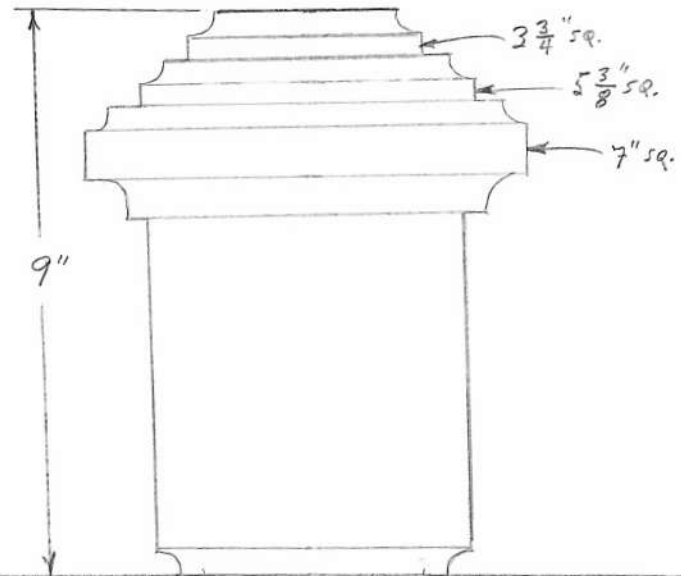
5

THREE 1/2" FLUTES 30" LONG  
— TWO SIDES —

NO TRIM AT BOTTOM OF POST

# WELBOURNE MANOR MAILBOX POST

FOR #1 OR #1½ BLACK MAILBOX



Cuts (4) on cross arm & capital can be reveals or cove cuts

